

IRIS REGULATION DAMPER



OVERVIEW

CONSTRUCTION :

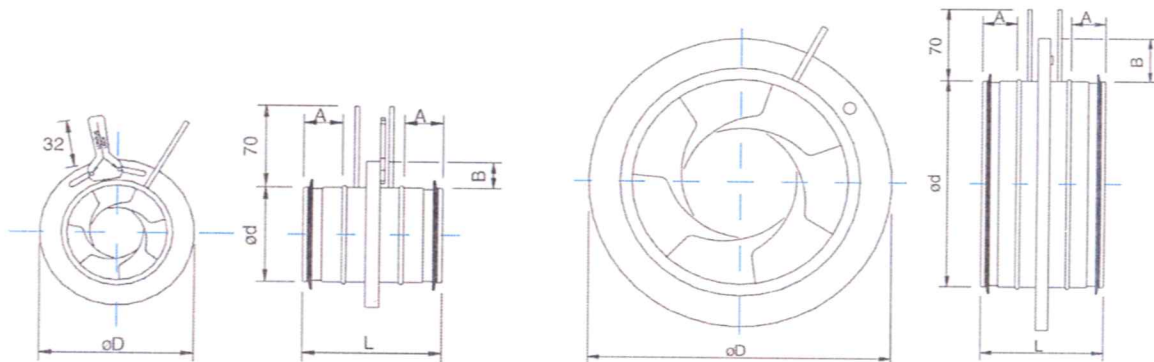
The iris dampers are equipped with a supporting structure with a series of regulation blades, activated by turning a nut or lever (80 diameter). The dampers also have a regulation scale together with sockets for differential pressure gauges. The structure and the blades are made of hot galvanised steel, while the other components are made of plastic. The connections have a gasket on the outside used to ensure the joint is sealed.

USE :

The iris dampers are the ideal solution for precise, quick measuring and regulation of flow rates. For ducts that carry acid fumes or agents that are particularly corrosive, these iris dampers can be used.

Made of AISI 316 stainless steel, upon specific request.

DIMENSIONS :



NOMINAL DIAMETER 80

NOMINAL DIAMETER 100 TO 800

Nom. Dia.	Ø d [mm]	Ø D [mm]	L [mm]	A [mm]	B [mm]	Weight [kg]
80	79	125	110	30	22	0.5
100	99	165	110	30	32	0.5
125	124	188	110	30	32	0.7
150	149	230	210	27	40	0.9
160	159	230	110	30	35	0.9
200	199	285	110	30	42	1.4
250	249	335	135	40	42	2.1
315	314	410	135	40	47	3.5
400	398	525	190	60	62	6.4
500	498	655	170	50	77	9.6
630	628	815	170	50	92	15.6
800	798	1015	270	100	107	25.0