

JETVENT FAN (SINGLE TYPE)

Features

- Ductless
- Easy Installation
- Effective Overall Ventilation
- Maintenance Free

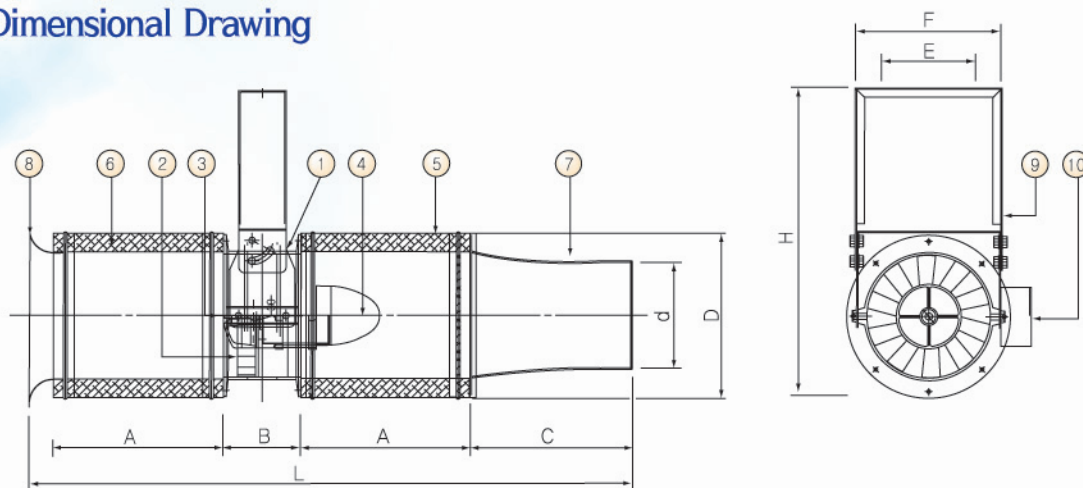


Description

No.	Item	Unit	Model					
			JVF-350	JVF-450	JVF-550	JVF-650	JVF-750	
1	Nozzle Dia	mm	180	230	250	320	350	
2	Thrust	Newton	6.5	5.3	17	8.5	17.7	
3	Volume	CMH	1,340	1,540	3,030	2,620	4,300	
4	Velocity	m/s	14.6	10.3	17	9.76	12.4	
5	Sound Level	dB(A)	59	58	69	51	61	
6	Ampere	A	0.5	1.2	1.6	0.4	1.2	
7	Power Consumption	Watt	110	254	360	160	320	
8	Power Supply	Ph x V x Hz	1 / 220 / 50					
9	Pole	P	2			4		

※ Figures shown reflect our recent test data results and may change depending on client's field conditions.

Dimensional Drawing



Dimension

Model	L	d (φ)	D (φ)	A	B	C	E	F	H
JVF-350S	1,040	180	280	265	130	320	200	245	675
JVF-450S	1,280	220	360	390	155	300	190	270	630
JVF-550S	1,225	250	360	320	210	330	250	320	730
JVF-650S	1,280	320	440	350	175	360	420	560	750