

RR--

- ▶ Swirl
- ▶ Return
- ▶ Adjustable

Design:

Swirl diffuser:

face plate: steel
 finish: epoxy powder
 colour: RAL 9010

Blades:

pattern blades: synthetic
 colour: black,
 white optional

Plenum box:

material: steel
 sendzimir
 lining: 1/2" ductliner
 finish: none

Damper:

material: steel
 sendzimir
 finish: none

Available types:

R R - - - -

R swirl diffuser
R return

- air pattern

G reversible air pattern
S fully adjustable air pattern

- face plate

D surface mounted
T tegular

- accessories

O none
V damper

- designed with

A round top connection
R lined plenum box (unassembled)
U un-lined plenum box (unassembled)
O face plate only, no connection

Application:

The swirl diffuser type RR-- is suitable for return air - and its external appearance is the same as the RT-- supply diffuser. Blades fitted for aesthetics. The diffuser may be used for surface mounting as well as for Tee bar mounting. The diffuser can be fitted with a plenum box which is delivered unassembled.

Dimensional data:

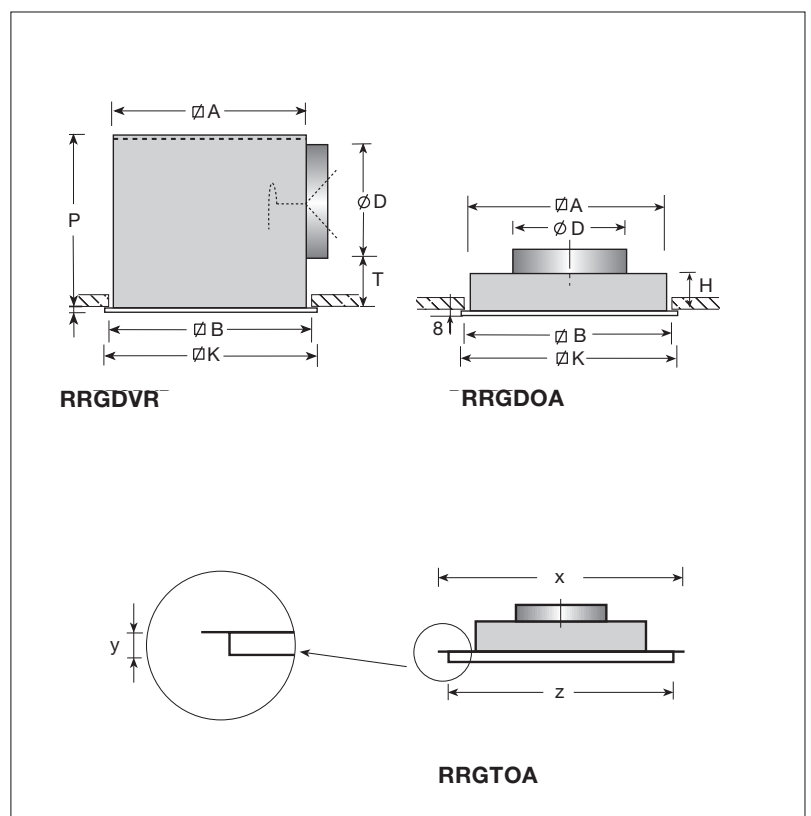
model	B	K	D	A	P	T	H
300/8	285	295	158	280	260	65	190
400/16	378	395	198	373	300	65	190
500/16	478	495	198	373	300	65	190
600/16	578	595	198	373	300	65	190
500/24	478	495	198	473	310	75	190
600/24	578	595	248	573	360	75	190
600/48	585	595	248	580	370	85	290

Remarks:

The dimensions are given in mm.
 Connection "D" is actual O.D.
 For the diffuser with a tegular edge RRRT-- the dimensions x, y and z must be provided when ordered.
 x - z = 12 minimum.
 y = 6 minimum.

The models 600/16, 600/24 and 600/48 are suitable for Tee-bar mounting, module size 600 mm.

Dimensions:



Performance data RRGD-R (round side connection):

luchthoev.		model									
		300/8		400/16, 500/16 600/16		500/24		600/24		600/48	
m ³ /s	m ³ /h	Ps	Lp	Ps	Lp	Ps	Lp	Ps	Lp	Ps	Lp
0.050	180	16	9								
0.060	216	24	15								
0.070	252	32	19								
0.080	288	42	23	14	9						
0.100	360	66	30	21	16	13	9				
0.125	450	103	37	33	23	20	15				
0.150	540			48	28	29	21	13	10		
0.200	720			85	37	52	30	23	19	18	15
0.250	900					82	37	36	26	29	21
0.300	1080					118	42	51	31	41	27
0.350	1260							70	36	56	32
0.400	1440							91	40	73	36
0.450	1620									93	39

General:

The pressure drop applies to fully opened damper.

- static pressure drop Ps in Pa. The assumed room absorption is 10 dB.

- sound pressure Lp in dB(A). Intermediate values may be interpolated.

Performance data RRGD-A (round top connection):

air volume		model									
		300/8		400/16, 500/16 600/16		500/24		600/24		600/48	
m ³ /s	m ³ /h	Ps	Lp	Ps	Lp	Ps	Lp	Ps	Lp	Ps	Lp
0.030	108	4	-								
0.040	144	7	-								
0.050	180	12	7								
0.060	216	17	13								
0.070	252	23	18								
0.080	288	30	22	11	9						
0.100	360	47	28	17	16	12	8				
0.125	450	73	35	26	22	19	14	8	6		
0.150	540			38	28	27	20	12	12	10	6
0.200	720			67	37	48	29	21	20	18	15
0.250	900					75	36	34	27	28	22
0.300	1080					108	41	48	33	40	27
0.350	1260							66	37	55	32
0.400	1440							86	41	72	36
0.450	1620									91	40

Blades pattern: