



RRBC

- ▶ Swirl
- ▶ Return

Design:

Swirl diffuser:
 face plate: steel
 finish visible parts: epoxy powder
 colour: RAL 9010

Plenum box:
 material: steel
 sendzimir
 1/2" ductliner
 finish: none

Damper:
 material: steel
 sendzimir
 none

Optional:
 plenum box: lower height

Available types:

R R B C - -

- R** swirl diffuser
- R** return
- B** petal shaped
- C** round, surface mounted

- accessories

- O** none
- V** damper

- designed with

- A** round top connection
- R** lined plenum box (assembled)
- U** un-lined plenum box (assembled)
- O** face plate only

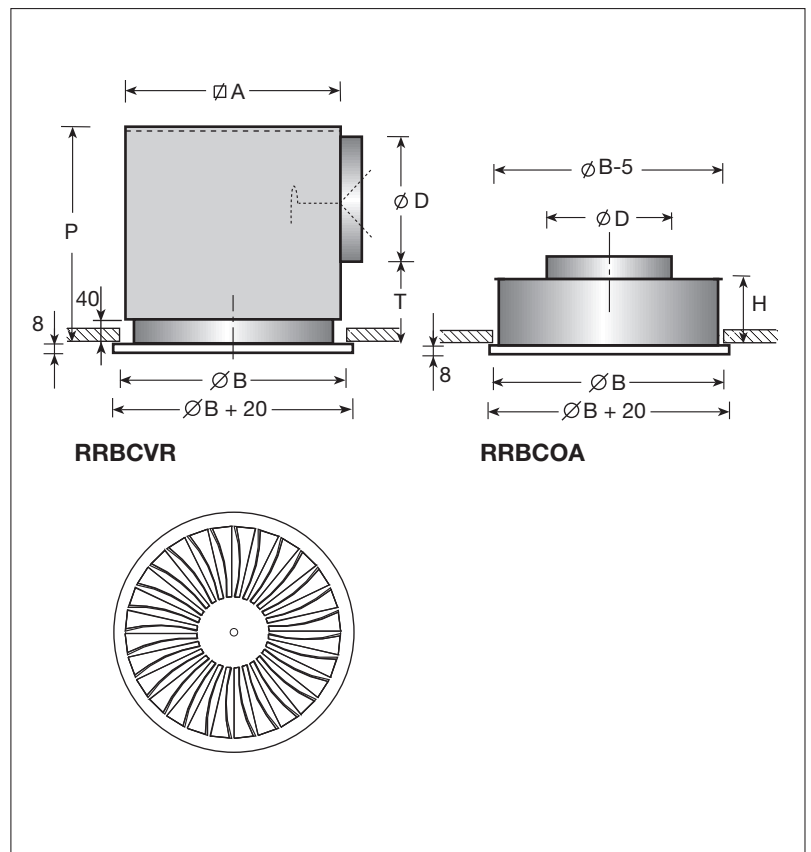
Application:

The swirl diffuser type RRBC is suitable for return air and its external appearance is the same as the RTBC supply diffuser. The diffuser may be used for surface mounting as well as for Tee bar mounting. The diffuser can be fitted with a plenum box which is delivered ready assembled.

Dimensions:

Dimensional data:

model	B	A	D	T	P	H
250	280	293	123	65	220	110
350	380	393	158	75	265	125
450	480	493	198	75	320	140
550	580	593	248	75	365	160



Remarks:

The dimensions are given in mm.
 Connection "D" is actual O.D.

Performance data:

RRBCOA and RRBCOU:

air volume		round connection		
m ³ /s	m ³ /h	model	Ps	Lp
0.025	90	250	5	8
0.030	108	250	7	12
0.040	144	250	13	20
		350	5	-
0.050	180	250	20	26
		350	7	13
0.060	216	250	29	30
		350	10	17
		450	3	-
0.070	252	250	40	34
		350	14	21
		450	4	9
0.080	288	350	19	25
		450	6	12
		550	3	-
0.100	360	350	29	31
		450	9	18
		550	5	10
0.125	450	350	45	36
		450	14	24
		550	8	16
0.150	540	450	21	29
		550	11	21
0.200	720	450	37	36
		550	20	28
0.250	900	450	57	42
		550	31	34
0.300	1080	550	44	39

General:

The pressure drop applies to fully opened damper.

- static pressure drop Ps in Pa.

The assumed room absorption is 10 dB.

- sound pressure Lp in dB(A).

Intermediate values may be interpolated.

Lined Plenums:

model	middle frequency bands					
	125	250	500	1K	2K	4K
250	5	0	3	10	5	11
350	2	2	7	7	7	9
450	2	3	9	7	7	9
550	0	6	7	7	6	9