



RRBM

- ▶ Swirl diffuser
- ▶ Return
- ▶ For Tee-bar mounting

Design:

Swirl diffuser:

face plate: steel
 finish visible parts: epoxy powder
 colour: RAL 9010

Plenum box:

material: steel
 sendzimir
 1/2" ductliner
 finish: none

Damper:

material: steel
 sendzimir
 none
 finish: none

Optional:

face plate: up to 750 mm
 plenum box: lower height

Available types:

R R B - - -

R swirl diffuser
R return
B petal shaped

- **face plate**
M suited for Tee-bar mounting
 module size 600 mm
T tegular

- **accessories**
O none
V damper

- **designed with**
A round top connection
R lined plenum box
 (assembled)
U un-lined plenum box
 (assembled)
O face plate only

Application:

The swirl diffuser type RRBM is suitable for return air and its external appearance is the same as the RTBM supply diffuser. The diffuser is for Tee-bar mounting in a ceiling with a 600 mm module size and can be fitted with a plenum box which is delivered ready assembled.

Dimensional data:

model	A	D	T	P	H
250	273	123	60	220	115
350	373	158	70	265	130
450	473	198	80	315	145
550	573	248	80	365	165

Weights:

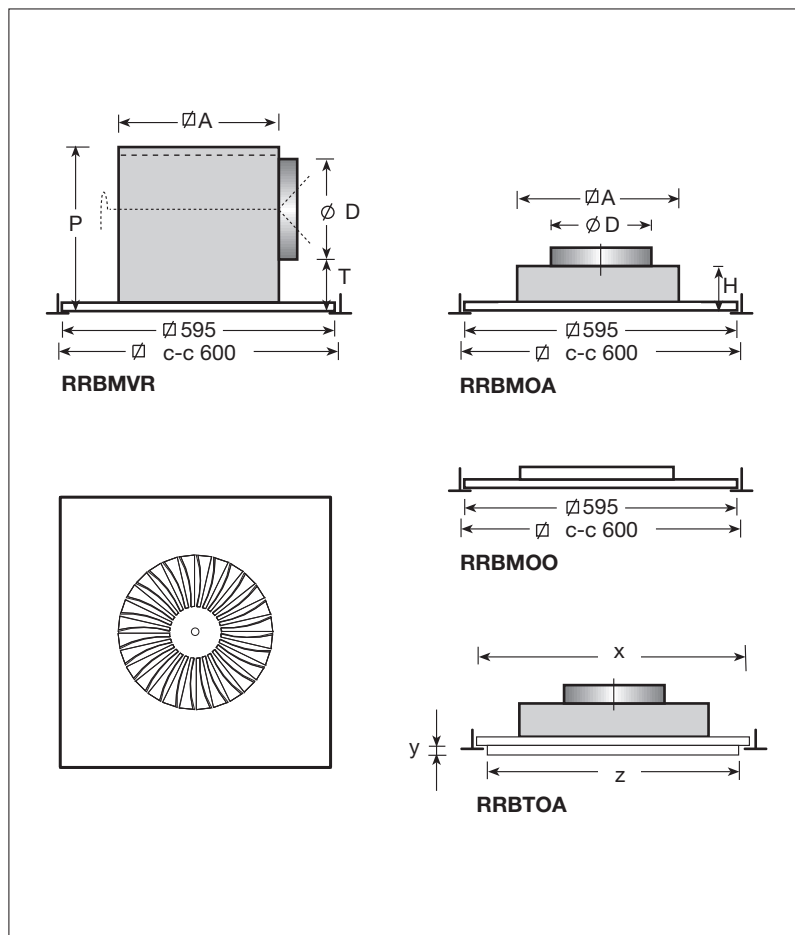
model	type			∅ vcd
	OA	OR	OO	
250	3.9	4.5	2.5	0.1
350	4.7	5.9	2.6	0.2
450	5.8	7.7	2.7	0.3
550	7.1	9.8	2.7	0.4

Remarks:

The dimensions are given in mm, weights in kg. Connection "D" is actual O.D. Diffusers for Tee-bar mounting with a smaller module see type RRBD.

For the diffuser with a tegular edge RRBT-- the dimensions x, y and z must be provided when ordered.
 x - z = 12 minimum (model 550: z = 583mm).
 y = 6 minimum.

Dimensions:



Performance data:

RRBMOA, RRBMOU and RRBMOO:

air volume		round connection		
m ³ /s	m ³ /h	model	Ps	Lp
0.025	90	250	5	8
0.030	108	250	7	12
0.040	144	250	13	20
		350	5	-
0.050	180	250	20	26
		350	7	13
0.060	216	250	29	30
		350	10	17
		450	3	-
0.070	252	250	40	34
		350	14	21
		450	4	9
0.080	288	350	19	25
		450	6	12
		550	3	-
0.100	360	350	29	31
		450	9	18
		550	5	10
0.125	450	350	45	36
		450	14	24
		550	8	16
0.150	540	450	21	29
		550	11	21
0.200	720	450	37	36
		550	20	28
0.250	900	450	57	42
		550	31	34
0.300	1080	550	44	39

General:

The pressure drop applies to fully opened damper.

- static pressure drop Ps in Pa.

The assumed room absorption is 10 dB.

- sound pressure Lp in dB(A).

Intermediate values may be interpolated.

Lined Plenums:

model	middle frequency bands					
	125	250	500	1K	2K	4K
250	5	0	3	10	5	11
350	2	2	7	7	7	9
450	2	3	9	7	7	9
550	0	6	7	7	6	9