

RRGC

- ▶ Swirl
- ▶ Return
- ▶ With pattern blades

Design:

Swirl diffuser:

face plate: steel
 finish: epoxy powder
 colour: RAL 9010

Blades:

pattern blades: synthetic
 colour: black,
 white optional

Plenum box:

material: steel
 sendzimir
 lining: 1/2" ductliner
 finish: none

Damper:

material: steel
 sendzimir
 finish: none

Available types:

RRGC - -

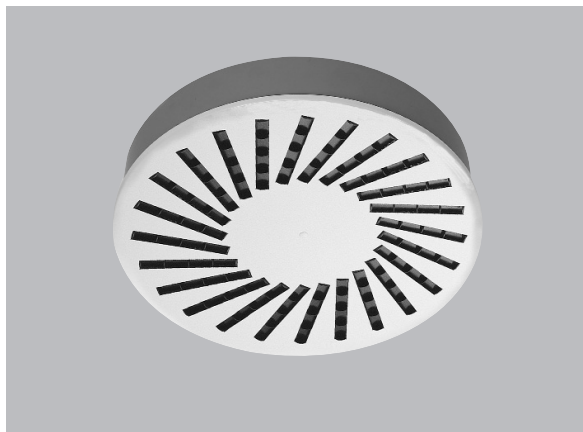
R swirl diffuser
R return
G rotating pattern, c/w blades
C round, surface mounted

- accessories

O none
V damper

- designed with

A round top connection
R lined plenum box
 (unassembled)
U un-lined plenum box
 (unassembled)



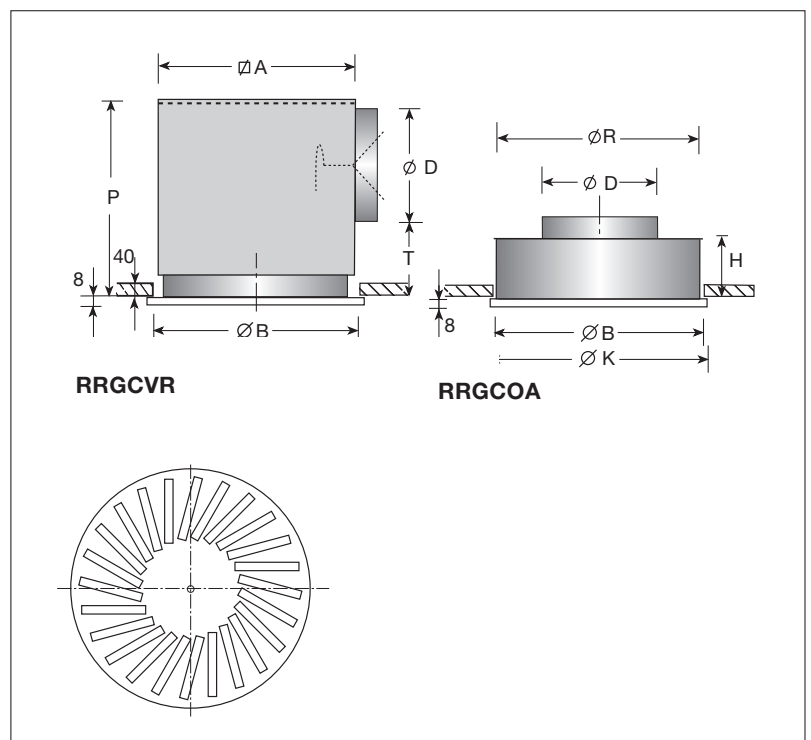
Application:

The swirl diffuser type RR-C is suitable for return air and its external appearance is the same as the RT-C or RRS supply diffuser. Blades fitted for aesthetics. The diffuser may be used for surface mounting as well as for Tee bar mounting. The diffuser can be fitted with a plenum box which is delivered unassembled.

Dimensional data:

model	B	K	D	A	R	P	T	H
300/8	285	300	158	315	280	270	75	190
400/16	378	400	198	408	373	310	75	190
500/16	478	500	198	408	373	310	75	190
600/16	578	600	198	408	373	310	75	190
625/16	603	625	198	408	373	310	75	190
500/24	478	500	198	508	473	310	75	190
600/24	578	600	248	608	573	360	75	190
600/36	578	625	248	608	573	360	75	190
625/24	603	600	248	608	573	360	75	190
600/48	585	600	248	622	580	370	85	290
625/48	603	625	248	622	580	370	85	290

Dimensions:



Remarks:

The dimensions are given in mm.
 Connection "D" is actual O.D.

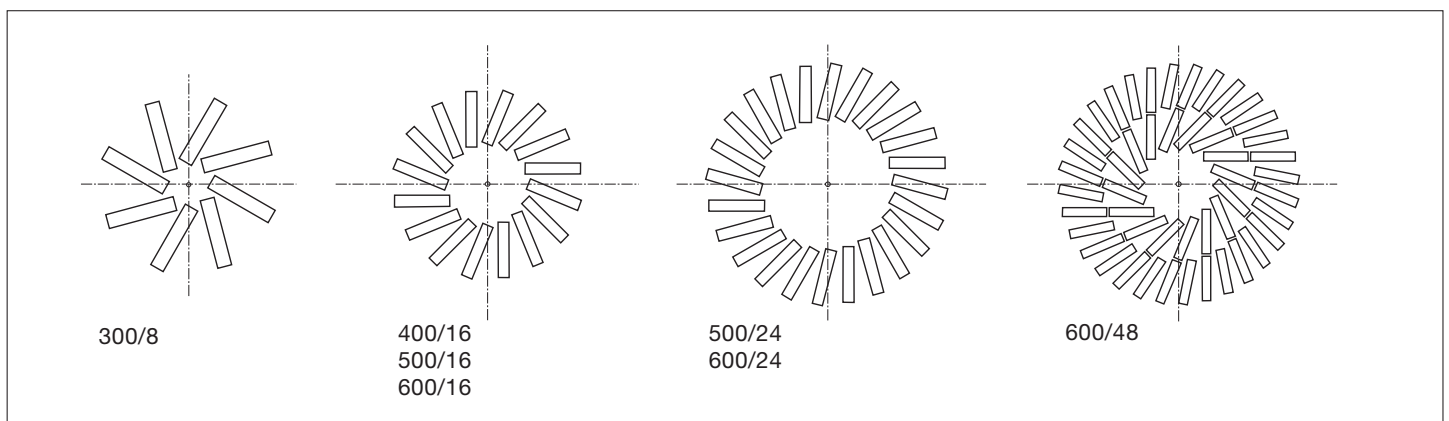
Performance data RRGC (round side connection):

air volume		model											
		300/8		400/16, 500/16 600/16, 625/16		500/24		600/24 625/24		600/36		600/48 625/48	
m ³ /s	m ³ /h	Ps	Lp	Ps	Lp	Ps	Lp	Ps	Lp	Ps	Lp	Ps	Lp
0.050	180	43	19										
0.060	216	65	25										
0.070	252	86	29										
0.080	288	113	33	38	19								
0.100	360			57	26	35	19						
0.125	450			89	33	54	25						
0.150	540			130	38	78	31	35	20				
0.200	720					140	40	62	29	52	26	49	25
0.250	900							97	36	85	33	78	31
0.300	1080							138	41	122	39	111	37

Performance data RRGC-A (round top connection):

air volume		model											
		300/8		400/16, 500/16 600/16, 625/16		500/24		600/24 625/24		600/36		600/48 625/48	
m ³ /s	m ³ /h	Ps	Lp	Ps	Lp	Ps	Lp	Ps	Lp	Ps	Lp	Ps	Lp
0.030	108	11	-										
0.040	144	19	-										
0.050	180	32	17										
0.060	216	46	23										
0.070	252	62	28										
0.080	288	81	32	30	19								
0.100	360	127	38	46	26	32	18						
0.125	450			70	32	51	24	22	16				
0.150	540			103	38	73	30	32	22	28	18	27	16
0.200	720					130	39	57	30	52	27	49	25
0.250	900							92	37	83	34	76	32
0.300	1080							130	43	117	39	108	37
0.350	1260											149	42

Blades pattern:



General:

The pressure drop applies to fully opened damper.

- static pressure drop Ps in Pa.

The assumed room absorption is 10 dB.

- sound pressure Lp in dB(A).

Intermediate values may be interpolated.