

RTFM

- ▶ Swirl diffuser, for Tee-bar mounting
- ▶ Supply, round
- ▶ Fixed blades

Design:

Swirl diffuser:
 round metal nozzle body: aluminium
 swirl blades: aluminium
 finish: epoxy powder
 colour: white RAL 9010

Plenum box:
 material: galvanised sheet steel
 interior lining: 1/2" ductliner
 finish: none

Optional:
 panel size: 620 mm
 plenum box: lower height

Available types:

RTFM - -

R round diffuser
T supply
F swirl type, fixed blades
M tee bar mountable, square 595 mm

- **accessories**
O none
V damper (only in combination with a plenumbox)

- **designed with**
A round top connection
U unlined plenum box (delivered separately)
R lined plenum box (delivered separately)

Application:

The round, conic Swirl diffuser type RTF is suitable for the supply of cooled or heated air with a big temperature difference and is applicable into constant and variable volume installations.

The housing consists of a round aluminium nozzle body with ten fixed Swirl blades. The diffuser can be easily installed with the separate plenum box by means of a central screw.

Features:

Max. exchange rate: up to 15 x
 Under temperature: up to 10 K
 Over temperature: up to 15 K

Dimensional data:

model	A	D1	D2	G	H	P _{min}	P _{max}
125	184	124	123	171	70	260	280
160	219	159	158	206	95	285	305
200	259	199	198	246	110	330	350
250	309	249	248	296	130	390	420
315	374	314	313	361	165	460	490

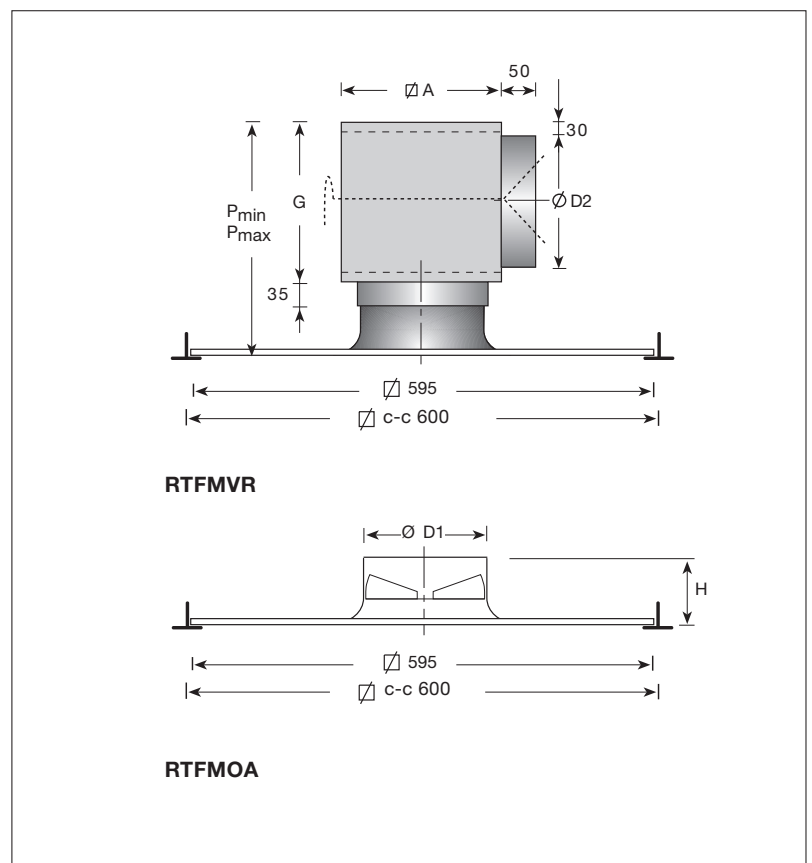
Remarks:

The dimensions are given in mm.

The diffuser can also be used for return air. In this case the L_p and P_s values in the table can be used.

Connection "D" is actual O.D.

Dimensions:



Performance data RTFM:

air volume		model														
		125			160			200			250			315		
m ³ /s	m ³ /h	T	Ps	Lp	T	Ps	Lp	T	Ps	Lp	T	Ps	Lp	W	Ps	Lp
0.015	54	0.7	11	-												
0.020	72	1.0	19	15	0.7	5	-									
0.025	90	1.1	30	22	0.9	8	-									
0.030	108	1.4	43	27	1.1	12	11	0.8	3	-						
0.040	144	1.9	70	36	1.4	21	20	1.1	6	-						
0.050	180	2.4	120	43	1.8	33	27	1.4	9	16	1.0	3	-			
0.060	216				2.2	47	32	1.7	13	21	1.3	5	-			
0.080	288				2.8	83	41	2.2	24	30	1.8	10	17	1.4	4	-
0.100	360							2.8	37	37	2.1	15	24	1.7	6	11
0.125	450							3.4	59	44	2.8	24	31	2.1	9	17
0.150	540										3.3	34	36	2.6	13	23
0.200	720										4.3	60	45	3.5	23	32
0.250	900													4.2	37	38
0.300	1080													5.1	53	44

General:

The throw applies to flush fitting into a flat ceiling.
throw T in meters.

static pressure drop Ps in Pa

The adopted room absorption is 10 dB.

sound pressure level Lp in dB(A)