

ENCLOSURES AND FIN TUBE COVERS

From small device Enclosure to large HVAC units, we can provide Custom designed-any size or shape products to fit your needs.

Our standard designed Enclosures and covers are used for:

- Schools/ Universities
- Healthcare units and Hospitals
- Office buildings
- Common areas in Residential and Commercial buildings

Custom Units mostly used with:

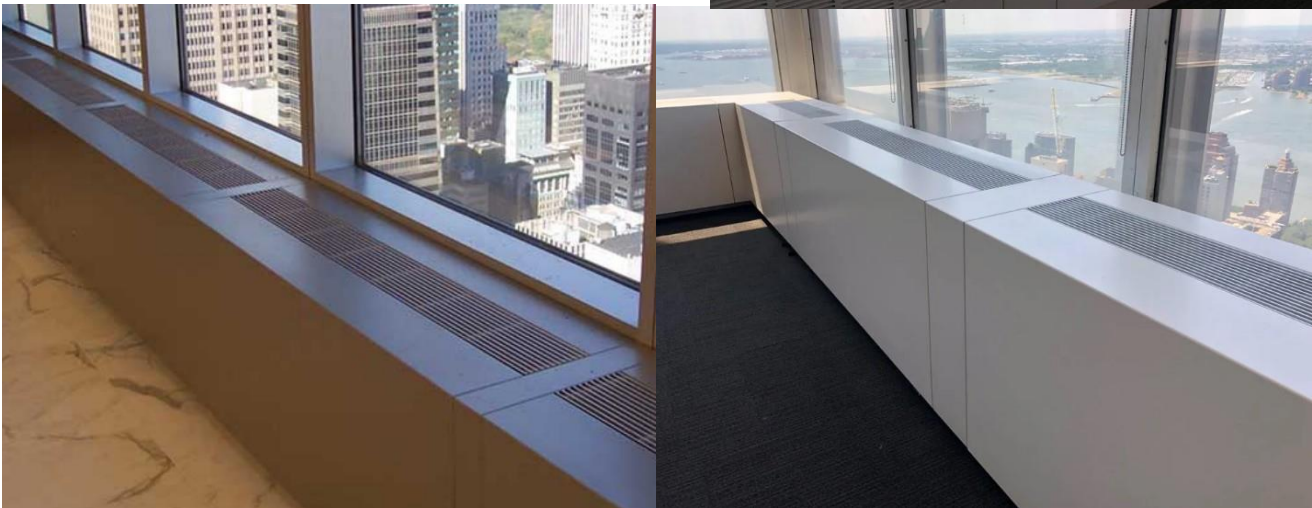
- Fan-Coil
- Induction Unit
- Radiant Panel
- Convectors
- Fin tube
- Heat pump and more

CUSTOM ENCLOSURE:

There are few different styles of Enclosures we have readily available from various length, width, and height as selectable options. These are produced in following styles.

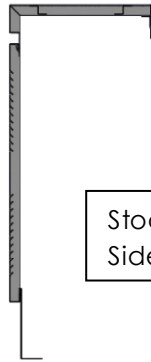
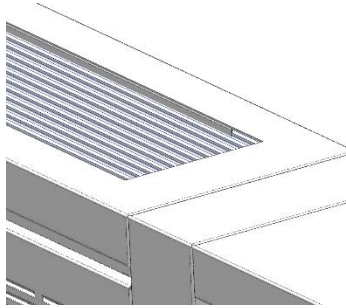
MULLION ENCLOSURE

- Enclosure designed with Flush type Mullion Design
- Easy Serviceability with removable front covers
- Field Adjustable components
- Various options for Paint available
- Clear Anodized Finish Aluminum Bar-grille
- Custom length, Height, Depth

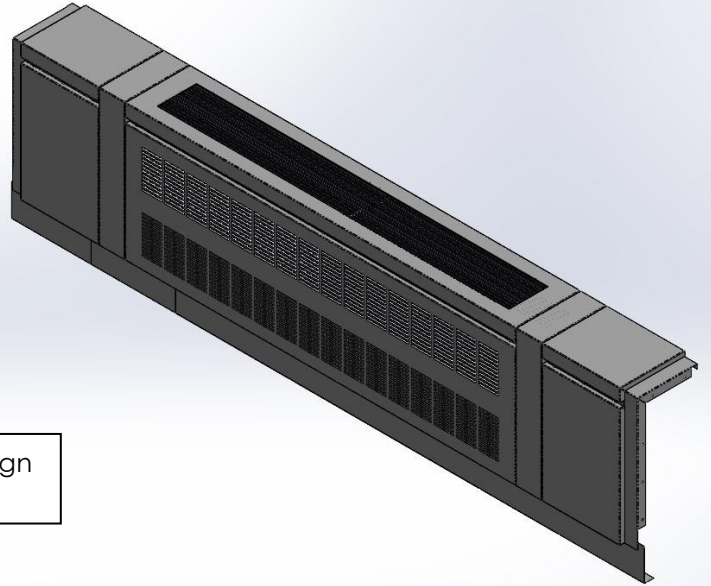


STOOL TOP ENCLOSURE

- Like Mullion Enclosure, it Comes with Stool Top
- Easy Serviceability with removable front covers
- Field Adjustable components
- Various options for Paint available
- Clear Anodized Finish Aluminum Bar-grille



Stool Top Design
Side View



FIN TUBE COVER

- Fin Tube covers are available with wide range of selection.
- Standard length and width are available, w/ optional access doors.
- Fin Tube Covers-FTC are selectable with different angle sloped top.
- Standard design comes with punched louvers, 18-gauge Galvannealed steel.
- Continues Length can be achieved with inside panel joiners or outside Trims.



SELECTION RULE FOR ENC AND FTC

Family	ENC	Custom Size Enclosure
Style	MU ST	Mullion Enc., Stool Top Enc. Floor Mount
Total Length	#	Please Enter Total Length (in)
Total Height	#	Please Enter Total Height (in)
Depth	4.00"- 16.00" SPL	Select from 4,5,6...,16 Enter Special Depth in Inches
Total Runs	#	Please enter # of Diff. Runs
Kick Plate Height	0-5.00"	Select from 0(None),1,2,3,4,5
Active Panel Length	#	Enter Active PNL Length (in)
Reveal Btw Panels	#	Mullion Length (in)
Stool Top Height	#	Enter Height(in) (ST opt. only)
Inlet Opening	LV BG	Front w/Louver(S) Front w/Bar Grille
Outlet Opening	LV BG	Top w/Louver(S) Top w/Bar Grille
Color	WH BK SPL	White(S) Black Choose any Special Color

Family	FTC	Fin Tube Cover
Mounting	W F	Wall Mount(S) Floor Mount
Style	45 60 90	Sloped Top @ 45 Degree Sloped Top @ 60 Degree Flat Top @ 90 Degree (S)
Length	18.00"- 72.00" SPL	Select from 18,24,36,48,60,72 Enter Special Length in Inches
Height	6.00"- 36.00" SPL	Select from 6,8,12,16,24,30,36 Enter Special Height in Inches
Depth	4.00"- 16.00" SPL	Select from 4,5,6...,16 Enter Special Depth in Inches
Inlet Opening	LV BG	Front w/Louver(S) Front w/Bar Grille
Outlet Opening	LV BG	Top w/Louver(S) Top w/Bar Grille
Color	WH BK SPL	White(S) Black Choose any Special Color
Revision	A.0	A.0

Accessories

End Caps	L R LR	Add Left End Cap Add Right End Cap Add Left and Right End Caps
Add Trims	N T#	None(S) Please Enter Number of Trims
Inside Corner	N IC#	None(S) Please Enter Number of Corner
Outside Corner	N OC#	None(S) Please Enter Number of Corner

Standard Color Options



GRILLE

EB Air offers fully extruded, high quality aluminum grille for a stylish appearance.

- No flange frame designed for a clean, built-in appearance.
- Fixed blades parallel to the long dimension.
- Sections over 84" are joined for continuous lengths with aligning pins provided.
- Available on 1/2" increments as standard. Custom sizes available down to 1/16" increments.
- Available with durable powder coat finish.



Selectable Finish Options



W | White



S | Silver



M | Mill



B | Brown



FB | Flat
Black



Special
Order

