



*INNOVATING HVAC ENCLOSURES FOR OPTIMAL CLIMATE CONTROL*

CONVECTOR COVERS  
CUSTOM ENCLOSURES  
INDUCTION UNIT ENCLOSURE  
ARCHITECTURAL METALS  
ANTI-LIGATURE ENCLOSURE

Rated Supplier for Construction Industry



## ENCLOSURES AND FIN TUBE COVERS

From small device Enclosure to large HVAC units, we can provide Custom designed-any size or shape products to fit your needs.

Our standard designed Enclosures and covers are used for:

- Schools/ Universities
- Healthcare units and Hospitals
- Office buildings
- Common areas in Residential and Commercial buildings

Custom Units mostly used with:

- Fan-Coil
- Induction Unit
- Radiant Panel
- Convectors
- Fin tube
- Heat pump and more

### CUSTOM ENCLOSURE:

There are few different styles of Enclosures we have readily available from various length, width, and height as selectable options. These are produced in following styles.

### MULLION ENCLOSURE

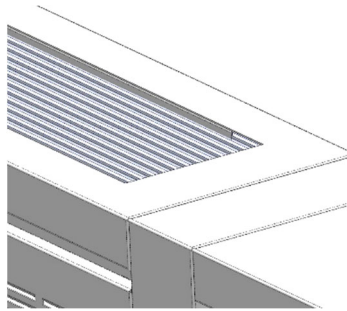
- Enclosure designed with Flush type Mullion Design
- Easy Serviceability with removable front covers
- Field Adjustable components
- Various options for Paint available
- Clear Anodized Finish Aluminum Bar-grille
- Custom length, Height, Depth



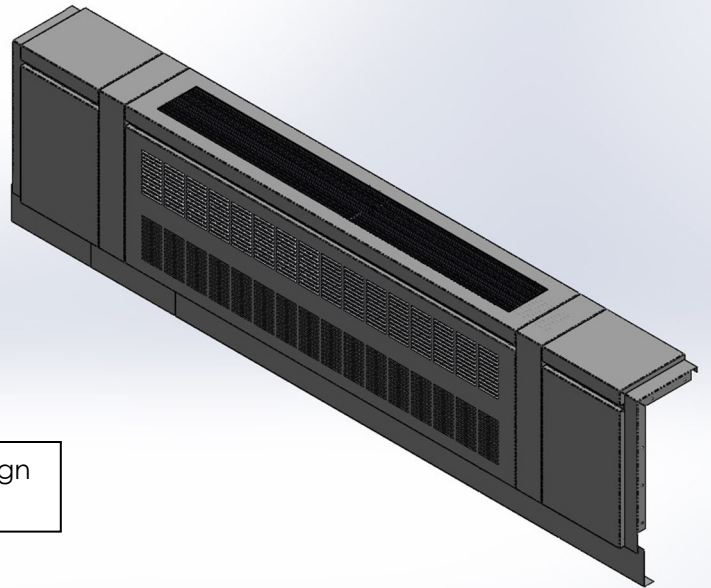


## STOOL TOP ENCLOSURE

- Like Mullion Enclosure, it Comes with Stool Top
- Easy Serviceability with removable front covers
- Field Adjustable components
- Various options for Paint available
- Clear Anodized Finish Aluminum Bar-grille



Stool Top Design  
Side View



## FIN TUBE COVER

- Fin Tube covers are available with wide range of selection.
- Standard length and width are available, w/ optional access doors.
- Fin Tube Covers-FTC are selectable with different angle sloped top.
- Standard design comes with punched louvers, 18-gauge Galvannealed steel.
- Continues Length can be achieved with inside panel joiners or outside Trims.



## ANTI LIGATURE ENCLOSURES AND COVERS

### Product Introduction:

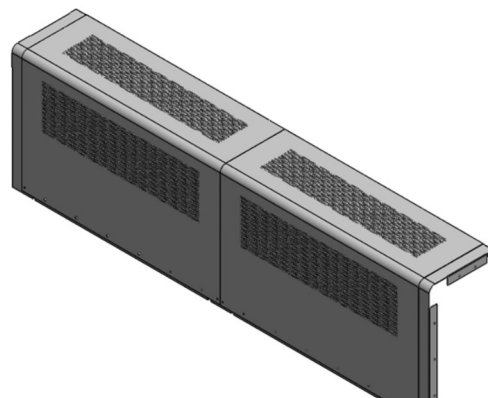
Behavioral safety is a critical concern in various environments, including healthcare facilities, psychiatric hospitals, correctional facilities, and schools. Individuals in these settings may pose a risk to themselves or others, and it is essential to minimize potential harm.

One crucial aspect of ensuring behavioral safety is the use of anti-ligature HVAC enclosures. These enclosures, provided by EB Air Inc., play a pivotal role in creating safer environments by preventing self-harm or tampering with HVAC systems.

Produced by EB Air, the ANL-ENC is skillfully designed with radius bends to eliminate ligature points. Additionally, it features an optional lockable door for staff inspection and control of temperature settings. From compact device enclosures to large HVAC units, EB Air specializes in crafting custom-designed products of any size or shape to meet your specific needs.

Our standard designed Enclosures and covers are used for:

- **Healthcare Facilities:** Psychiatric wards, emergency rooms, and mental health institutions.
- **Correctional Facilities:** Detention centers, prisons, and juvenile detention centers.
- **Educational Institutions:** Schools, colleges, and special education facilities.



Custom Units mostly used with:

- Fan-Coil
- Induction Unit
- Radiant Panel
- Convectors
- Fin tube
- Heat pump and more

## DESIGN AND KEY FEATURES OF ANL-ENC

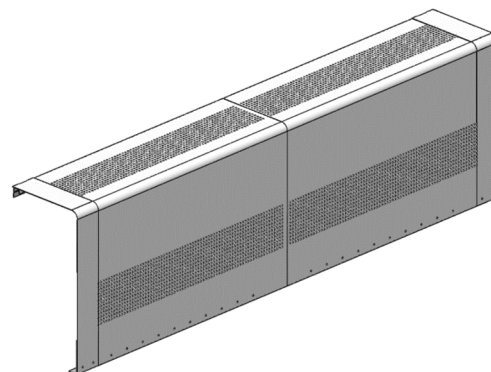
- The enclosure will be constructed using *16-gauge galvanized steel*, a robust and durable material known for its excellent corrosion resistance and strength.
- 14-gauge and 12-gauge optionally available.
- We offer Supply and Return openings with *perforated metal options* to minimize the risk of ligature concerns.
- All *anchor and support points for walls and floors are positioned internally* to safeguard against unauthorized entry, removal, or tampering.
- An array of security fastenings which include *torx fasteners and key locks* can be used to ensure fast and simple access for staff but prevent unwanted openings by service users.
- For wall-mounted anti-ligature enclosures, anti-ligature base plates can be securely fixed to the base of a unit.
- All our covers include a high-quality *powder coated finish*. Various options for Paint available.

## DIVERSE STANDARD OPTIONS FOR ANTI-LIGATURE ENCLOSURES

SixBase's range of anti-ligature enclosures for HVAC units offers a comprehensive solution to meet various installation needs while prioritizing safety and security in high-risk settings.

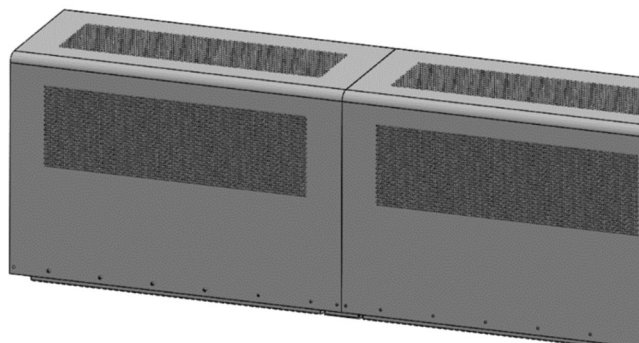
### FLOOR-STANDING UNITS WITH A FLAT TOP

- Designed for HVAC units that need to be placed on the floor.
- Flat top surface for easy installation and maintenance.
- Durable materials and construction for long-lasting performance.
- Customizable options for color and size to match specific requirements.



### FLOOR-STANDING UNITS WITH A SLOPING TOP

- Ideal for floor-mounted HVAC units that require an added safety feature.
- Sloping top design minimizes the risk of hanging or ligature points.
- Robust and secure construction to prevent tampering and damage.
- Provides efficient ventilation while maintaining safety standards.



### WALL-MOUNTED UNITS WITH A SLOPING TOP

- Designed for wall-mounted HVAC units with an emphasis on anti-ligature features.
- Sloping top minimizes opportunities for ligature points and enhances safety.
- Space-saving solution for environments with limited floor space.
- Sturdy and tamper-resistant construction for maximum durability.
- Customizable design options, including color and size, for a tailored fit.



## ADDITIONAL PRODUCT LINE

### CUSTOM CABINETS:

- Tailored solutions to meet unique storage and enclosure needs.
- Built with a focus on anti-ligature design principles to enhance safety.
- Versatile in size, configuration, and finish to match specific requirements.
- Custom cabinets are suitable for a wide range of applications, from healthcare to detention facilities.

### ANTI-LIGATURE GRILL:

- Engineered for safety, these grills are designed to eliminate ligature risks in ventilation systems.
- Sturdy and anti-tamper construction ensures maximum security.
- Available in various sizes and configurations to suit different HVAC systems.



### LINEAR GRILLE

EB Air offers fully extruded, high quality aluminum grille for a stylish appearance.

- No flange frame designed for a clean, built-in appearance.
- Fixed blades parallel to the long dimension.
- Sections over 84" are joined for continuous lengths with aligning pins provided.
- Available on 1/2" increments as standard. Custom sizes available down to 1/16" increments.
- Available with durable powder coat finish.



Selectable Finish Options



**W** | White



**S** | Silver



**M** | Mill



**B** | Brown



**FB** | Flat  
Black



**Special**  
Order

## SELECTION RULE FOR ENC AND FTC

Family	ENC	Custom Size Enclosure
Style	MU ST	Mullion Enc., Stool Top Enc. Floor Mount
Total Length	#	Please Enter Total Length (in)
Total Height	#	Please Enter Total Height (in)
Depth	4.00"- 16.00" SPL	Select from 4,5,6...,16 Enter Special Depth in Inches
Total Runs	#	Please enter # of Diff. Runs
Kick Plate Height	0-5.00"	Select from 0(None),1,2,3,4,5
Active Panel Length	#	Enter Active PNL Length (in)
Reveal Btw Panels	#	Mullion Length (in)
Stool Top Height	#	Enter Height(in) (ST opt. only)
Inlet Opening	LV BG	Front w/Louver(S) Front w/Bar Grille
Outlet Opening	LV BG	Top w/Louver(S) Top w/Bar Grille
Color	WH BK SPL	White(S) Black Choose any Special Color

Family	FTC	Fin Tube Cover
Mounting	W F	Wall Mount(S) Floor Mount
Style	45 60 90	Sloped Top @ 45 Degree Sloped Top @ 60 Degree Flat Top @ 90 Degree (S)
Length	18.00"- 72.00" SPL	Select from 18,24,36,48,60,72 Enter Special Length in Inches
Height	6.00"- 36.00" SPL	Select from 6,8,12,16,24,30,36 Enter Special Height in Inches
Depth	4.00"- 16.00" SPL	Select from 4,5,6...,16 Enter Special Depth in Inches
Inlet Opening	LV BG	Front w/Louver(S) Front w/Bar Grille
Outlet Opening	LV BG	Top w/Louver(S) Top w/Bar Grille
Color	WH BK SPL	White(S) Black Choose any Special Color
Revision	A.0	A.0

### Accessories

End Caps	L R LR	Add Left End Cap Add Right End Cap Add Left and Right End Caps
Add Trims	N T#	None(S) Please Enter Number of Trims
Inside Corner	N IC#	None(S) Please Enter Number of Corner
Outside Corner	N OC#	None(S) Please Enter Number of Corner

Standard Color Options







Visit our website for more products and services we can offer.

---

**EB AIR CONTROL INC.**

Tel: +1 905 670-2277

Website [www.ebaircontrol.com](http://www.ebaircontrol.com)

Email: [info@ebaircontrol.com](mailto:info@ebaircontrol.com)

***EB***   
***Control Inc.***